

Linear Wire Potentiometers



Specifications

- PRECISION ELECTRIC RESISTANCE SIGNAL OUTPUT
- SUITABLE FOR SHORT TO MEDIUM MEASUREMENT RANGE

ELECTRICAL SPEC.

Effective Stroke(mm)	1000mm
Output Signal Mode	0~5K/0~10K ohm, 0~5Vdc/0~10Vdc 4~20mA
Linearity	±0.15%FS(standard class); ±0.08%FS(precision class)
Repeatability	±0.01%FS
Resolution	Essentially infinite
Measurement Wire	Diameter 0.65mm, SUS304 with fluorin-coated
Sensor	Wire-winding and hybrid potentiometer
Traction	350g ± 35g
Weight	500g
Recommended Input Voltage	15~24Vdc

ENVIRONMENTAL SPEC.

Operating Temp.	-20°C ~ +80°C
Storage Temperature	-20°C ~ +80°C
Vibration	20g, 2000Hz
Protection	IP67

How to order

MPS--L--500--R Add information:

Output mode:

- R:resistance output
- V1:voltage output within 0-5VDC
- V2:Voltage output within0-10VDC
- A2: 2 wires current output with 4-20mA
- A3: 3 wires current output with 4~20mA
- P: incremental pulse phase output AB phase or ABZ phase

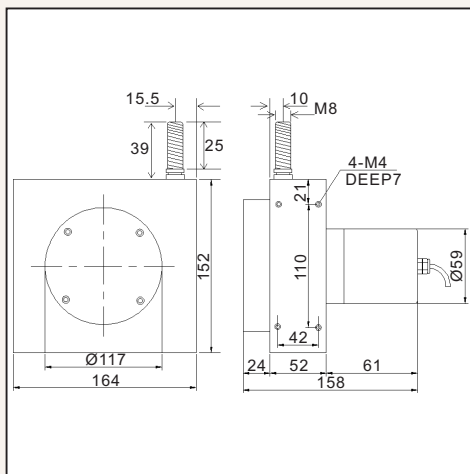
Effective measurement range

Installation model

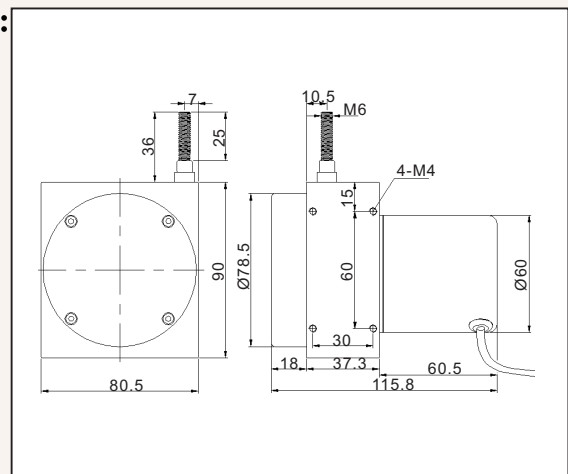
MPS:Linear wire potentiometer/encoder Mark

Installation model:

L:



M:



S:

