

VP8 Series

■ Overview

The VP8 series industrial pressure transducer/transmitter, which connector is made of stainless steel, and housing is made of aluminium with explosion-proof, has strong corrosion resistance and long-term stability and anti-jamming capability. Sensors in a wide temperature range has temperature compensation, which ensure the technical parameters in well. Available to match LED, LCD displayer, variety of connector types and wiring modes, can be the maximum to meet the customer requirement. Widely used in the field of hydraulic pneumatic control testing system, industrial process control, petroleum chemical industry, metallurgy industry, and constant pressure water supply etc.

HART protocol and RS485 Serial Communication board are optional. And Option to match the measurement & control instruments or circuit module made by our company.

■ Applications

- Petroleum chemical industry, rubber and plastic industry
- Building automation, constant pressure water supply
- Light industry, machinery, metallurgy industry
- Motor braking system, thermoelectric unit
- Industrial automation and process control



VP8 Series

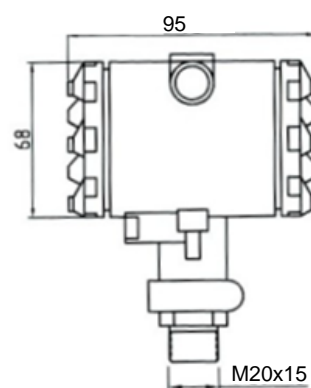
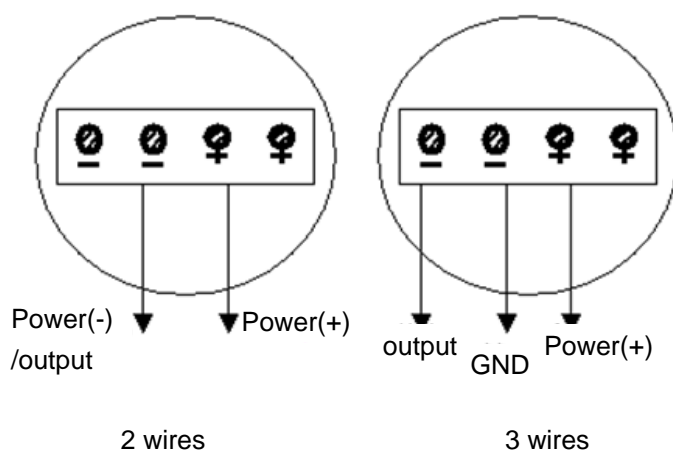
■ Specifications

Pressure range	-0.1 to 200MPa
Accuracy	±0.1%FS, ±0.25%FS, ±0.5%FS, ±1.0%FS optional
Power supply	Transducer: +5~12Vdc; Transmitter: +24Vdc, +12Vdc, +5Vdc
Output	Transducer: 1m/V Transmitter: 0/0.5/1.0-4.0/4.5/5.0V(3 wires), 4-20mA(2 or 3 wires)
loading Capacity(Transmitter)	Current output model $\leq 500 \Omega$; Voltage output model $\geq 100k \Omega$
zero temp. coefficient	±0.5%FS
FS temp. coefficient	±1.0%FS
Compensation temperature	-10°C~70°C
Operation temperature	-20°C~75°C, $\leq 85\%RH$
Storage temperature	-40°C~85°C, $\leq 95\%RH$
Safe overpressure	150%
limit overpressure	250%
Temperature drift	±0.02%FS/°C
Long-term stability	±0.2%FS/year
Housing	Cast aluminium

Note: Specification based on 25°C

■ Mechanical Specifications(For reference)

Wiring



VP8 Series

■ Connection

- Pressure transducer

Red/2#: Excitation(Power) positive E+; **Black/4#:** Excitation(Power) negative E-; **Green/1#:** Signal output positive S+;

White/3#: Signal output negative S-; **Gray/5#:**Cable shield

- Pressure transmitter

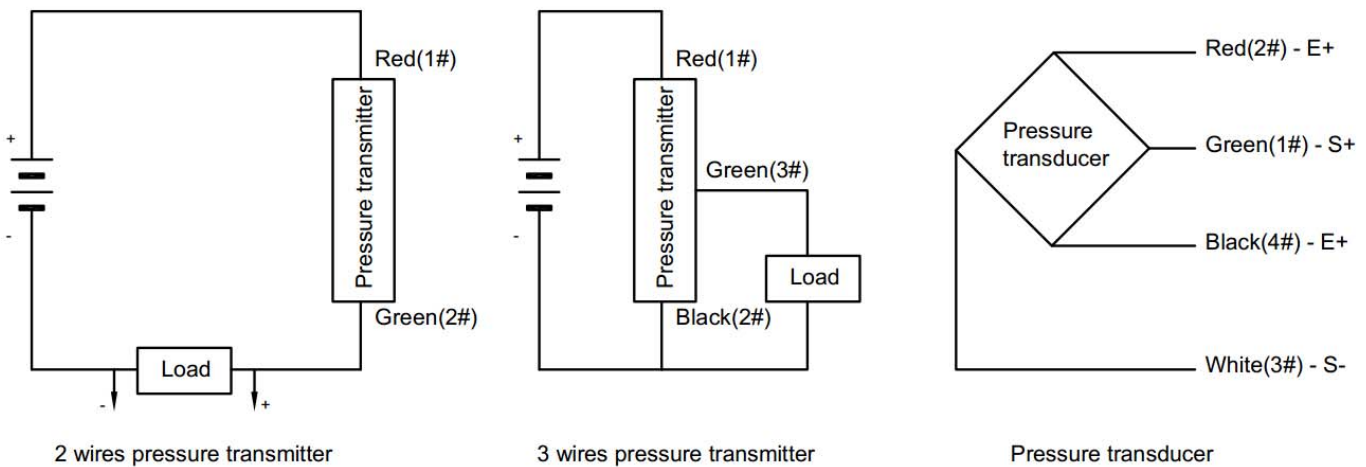
For two wires:

Red/1#: Power positive E+; **Green/2#:** Output current I_{out}

For three wires:

Red/1#: Power positive E+; **Black/2#:** GND; **Green/3#:** Output current I_{out} or Voltage V_{out}

- The wiring diagram as below:



■ Order

VP8	<input type="checkbox"/>	<input type="checkbox"/>	- <input type="checkbox"/>	- <input type="checkbox"/>	- <input type="checkbox"/>	<input type="checkbox"/>
	Housing	Output	Pressure range	Mounting	Wiring	Additional function
Industrial series	1:BP11 housing (2088 housing) 2:BP42 housing (3051 housing) 3:BP46 housing (133 housing) 9.others	0: mV(4 wires for Transducer) 1: 4-20mA(2 wires) 2: 4-20mA(3 wires) 3: 0-5V(3 wires) 4: 1-5V(3 wires) 5: 0.5-4.5V(3 wires) 6: 0-10V(3 wires) 7: discrete output 8: discrete output(Voltage) 9: custom	(Mpa, Kpa, Pa, Bar, PSI, Kg/cm2)	Standard screw thread Ex.:M20x1.5, G1/2 or Cutting sleeve dim. Ex.:CD50 or flange dim. Ex.:DN25	P1: Cable waterproof seal P2: Hirschmann connector P3: Aviation connector(Steel) P4: Mini Hirschmann connector P5:Aviation connector(Aluminium) P6: 2088 housing P7: BP2-1 armoredcable connector	A1: 1.0%FS A2: 0.5%FS A3: 0.25%FS A4: 0.1%FS V1: 24Vdc V2:12Vdc V3: 5Vdc V4: ± 12Vdc D1: LED indicator D2: LCD indicator D3: dial indicator D4: 0-100% indicator(bar code) SI: Intrinsically explosion-proof (ia II CT4) SS: Isolation explosion-proof(d II BT4) HT: Hart protocol R4: RS485 Y: Custom requirement

Example:

VP816-60Mpa-M20*1.5-A2V1D1- VP8 series: Pressure rage 0-60Mpa, BP11 housing(2088 housing), output 0-10V (3 wires), M24x1.5 installation, accuracy 0.5%FS, power 24Vdc, with LED indicator

Note: If the user has special requirement, please feel free to contact our company