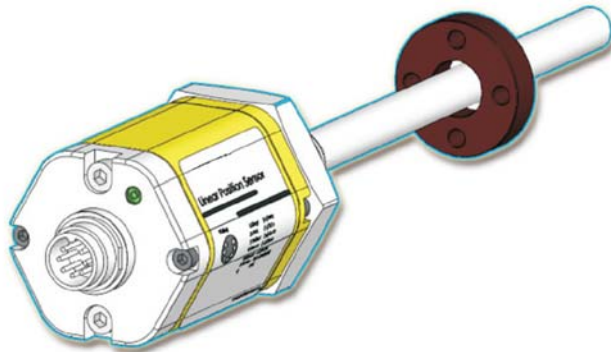


Analog/SSI Output



Features

- Rugged and reliable, oil fouling resistant
- No zero, absolute displacement output
- Non-contact sensing technology, never worn
- High accuracy, 16 bit D/A for Analog output type, min. 0.5um for SSI output type
- Non-linearity $\leq \pm 0.01\%$ of full stroke
- Repeatability: $\leq \pm 0.001\%$ of full stroke.
- Easy to diagnosis, LED lamp real-time display
- Modular design, replaced by convenience
- Low power design, reduce the heat

PARAMETERS SPECIFICATIONS

Analog output

SSI output

Measuring parameters

Measured range: 25mm-7600mm
 Output : Current 4-20mA(Load resistance: $\leq 500\Omega$)
 Voltage 0- 10Vdc (Load resistance: $> 5k\Omega$)
 Resolution: 16 bit D/A(no limit)
 Non-linearity : $\leq \pm 0.01\%$ of full stroke(Min.50um).
 Repeatability: $\leq \pm 0.002\%$ of full stroke.(Min.2um)
 Updated time: 0.5ms(stroke $< 0.5m$)
 1.0ms($0.5m < \text{stroke} < 1m$)
 2.0ms($1m < \text{stroke} < 2m$)
 3.0ms($2m < \text{stroke} < 3m$)

Measured range: 25mm-7600mm
 SSI signal : 24,25,26 bit binary/Gray code
 Transmission speed: 70kBd-1Mb
 Wire length: < 3 < 50 < 100 < 200 < 400 m
 Speed: 1000 < 400 < 300 < 200 < 100 kBd
 Resolution: 0.5/1/2/5/10/20/50/100 um
 Non-linearity : $\leq \pm 0.01\%$ of full stroke(Min.40um).
 Repeatability: $\leq \pm 0.001\%$ of full stroke.(Min.1 bit)
 Updated time: stroke 300 750 1000 2000 5000 (mm)
 Frequency 3.7 3.0 2.3 1.2 0.5 (kHz)

Operation conditions

Operating Temperature: -40°C to $+85^\circ\text{C}$
 Temperature coefficient: $< 30\text{ppm}^\circ\text{C}$
 Relative humidity: 90% no condensation
 Electronic protection: IP67

Operating Temperature: -40°C to $+85^\circ\text{C}$
 Temperature coefficient: $< 30\text{ppm}^\circ\text{C}$
 Relative humidity: 90% no condensation
 Electronic protection: IP67

Mounting and attachment

Mounting orientation: any
 Mounting type: screw thread mounting, M18x 1.5 or custom
 Magnet type: Magnet ring OD33, OD25.4, OD17.4

Mounting orientation: any
 Mounting type: screw thread mounting, M18x 1.5 or custom
 Magnet type: Magnet ring OD33, OD25.4, OD17.4

Electrical characteristics

Wiring type: Integral cable or 6 pin Aviation connector
 Operating voltage: 24Vdc(-15/+20%)
 Operating current: $< 60\text{mA}$
 Polarity protection: up to -30Vdc
 Overvoltage protection: up to 36Vdc
 Insulating ability: 500V(between Signal and housing)
 Fault display: Fed, Green dual LED displayer

Wiring type: Integral cable or 7 pin Aviation connector
 Operating voltage: 24Vdc(-15/+20%)
 Operating current: $< 50\text{mA}$
 Polarity protection: up to -30Vdc
 Overvoltage protection: up to 36Vdc
 Insulating ability: 500V(between Signal and housing)
 Fault display: Fed, Green dual LED displayer

Structure and Housing

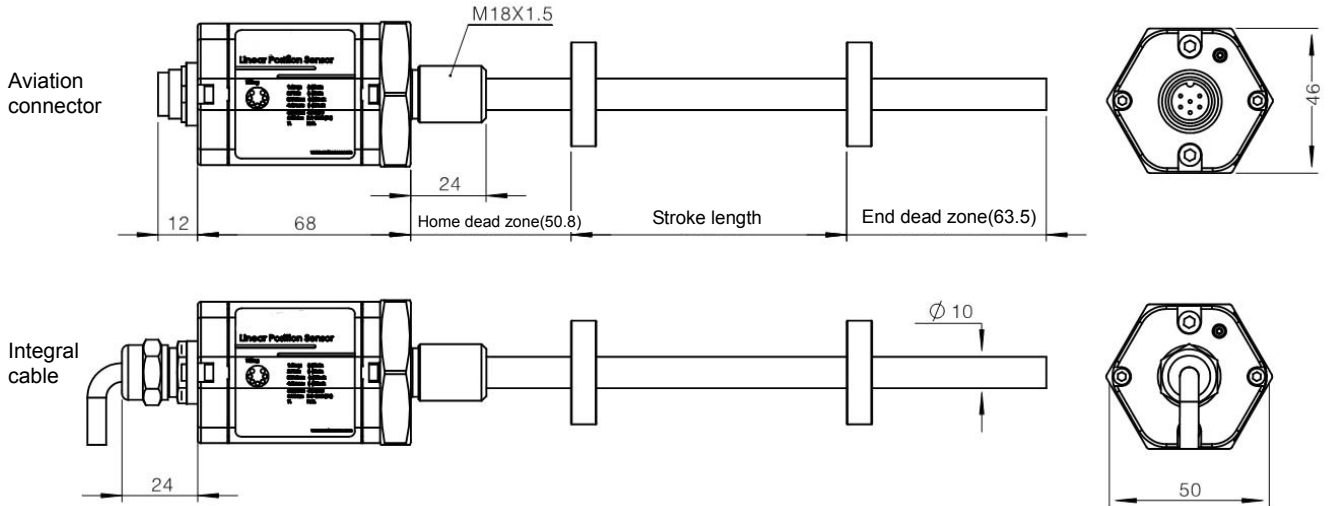
Sensor head: Aluminium
 Housing: Aluminium
 Fixing clamp: 304L stainless steel

Sensor head: Aluminium
 Housing: Aluminium
 Fixing clamp: 304L stainless steel

Analogue/SSI Output

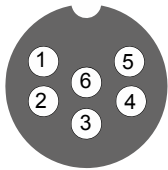
Model RH sensor dimension reference

Model RH Sensor: Drawing is for reference only, contact applications engineering for tolerance specific information



Electronic wiring

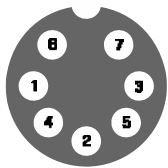
Analogue Output type



Male connector
(Face to sensor head)

Pin	Color	Description
1	Gray	Output Signal(0-20mA, 0-10V)
2	Pink	Output(GND)
3	Yellow	(+) Communication interface
4	Green	(-) Communication interface
5	Brown	(+) Power +24Vdc(-15/+20%)
6	White	(GND) Power

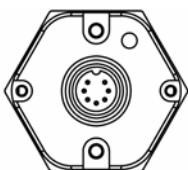
SSI Output type



Male connector
(Face to sensor head)

Pin	Color	Description
1	Gray	(-)Output Signal
2	Pink	(+)Output Signal
3	Yellow	(+) Clock
4	Green	(-) Clock
5	Brown	(+) Power +24Vdc(-15/+20%)
6	White	(GND) Power
7	N.C.	

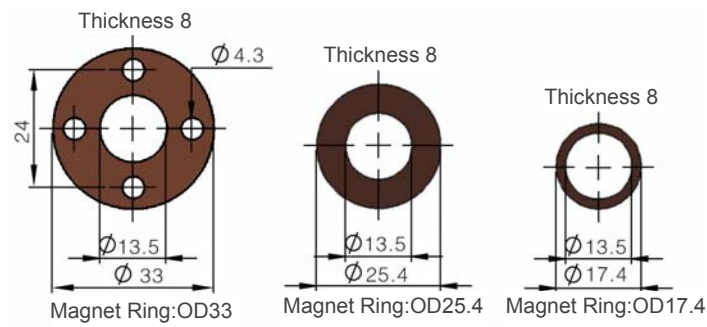
Status indicator



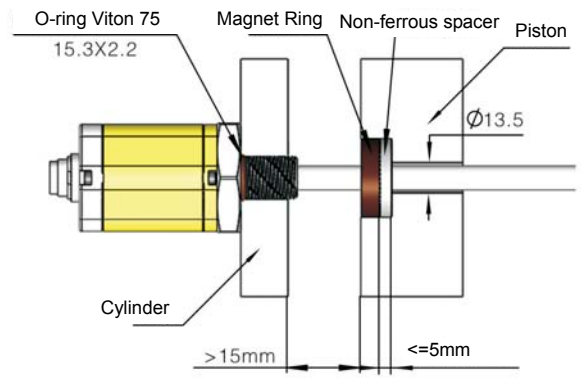
Status	Description
Green on	Normal working
Green flash	Programming mode
Red flash	Magnet out of range
Red on	Magnet not detected

Analog/SSI Output

Standard magnet selections

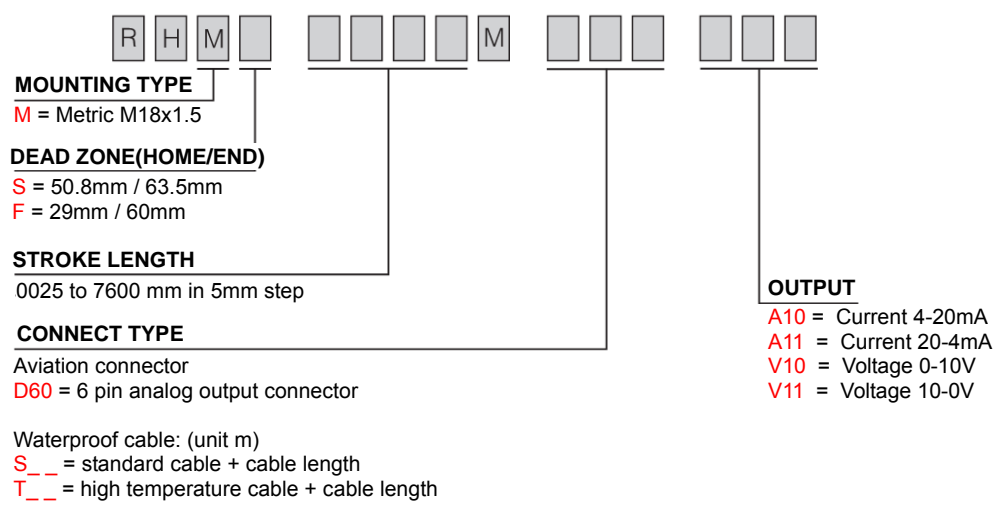


Installation



Ordering Information

Analog Output type



SSI Output type

